

# **WINZEN CHEMICAL PUMP**

**SELF – PRIMING CHEMICAL PUMP**

**COAXIAL VACUUM ACID/ALKALINE PUMP**

**WT SERIES / WTB SERIES**

**OPERATION INSTRUCTION**





W / WT B - 40 02 2 E A L - S C H  
**1** **2** **3** **4** **5** **6** **7** **8** **9** **10**  
**1** **2** **3** **4** **5**

**WT/WTB-TYPE**

WT/WTB - MATERIAL FRPP  
 WTC/WTBC - MATERIAL CFRPP  
 WTP/CTBP - MATERIAL PVDF

**IN-OUTLET**

**40**-11/2"  
**50**-2"  
**75**-3"

**POWER**

**11**-1 Ø 1/2HP    **03**-3 Ø 3HP  
**13**-3 Ø 1/2HP    **05**-3 Ø 5HP  
**01**-3 Ø 1HP        **07**-3Ø 7.5HP  
**02**-3 Ø 2HP        **10**-3 Ø 10HP

**POLE**

**2**-2P  
**4**-4P

**RUBBER MATERIAL**

**E**-EPDM  
**V**-VITON

**6**

**A**-WITH CHECK-VALVE  
 (INLET HIGHER THAN LIQUID LEVEL)

**7**

**L**-LOW HEAD  
**H**-HIGH HEAD

**8**

**S**-STATIONARY RING  
**S**-SIC

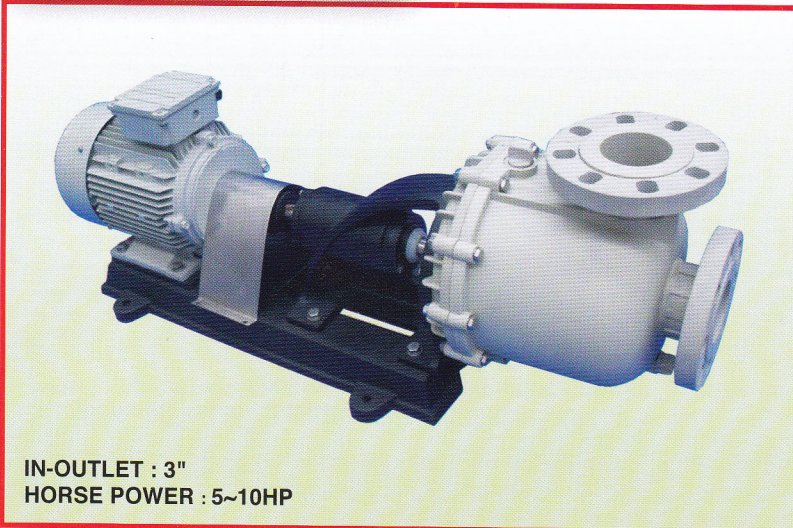
**9**

**R**-ROTATIONAL RING  
**C**-CARBON  
**S**-SIC

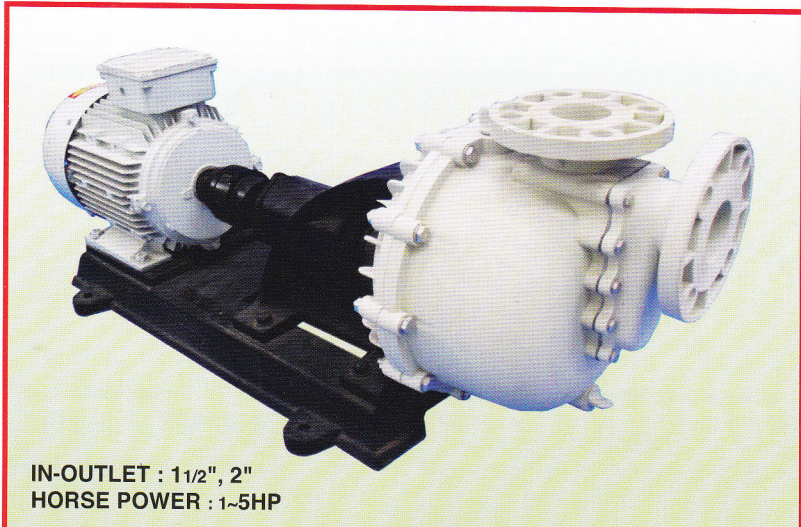
**10**

**S**-SPRING  
**H**-HASTELLOY-C  
**S**-SUS316

**WTB SERIES TYPE**



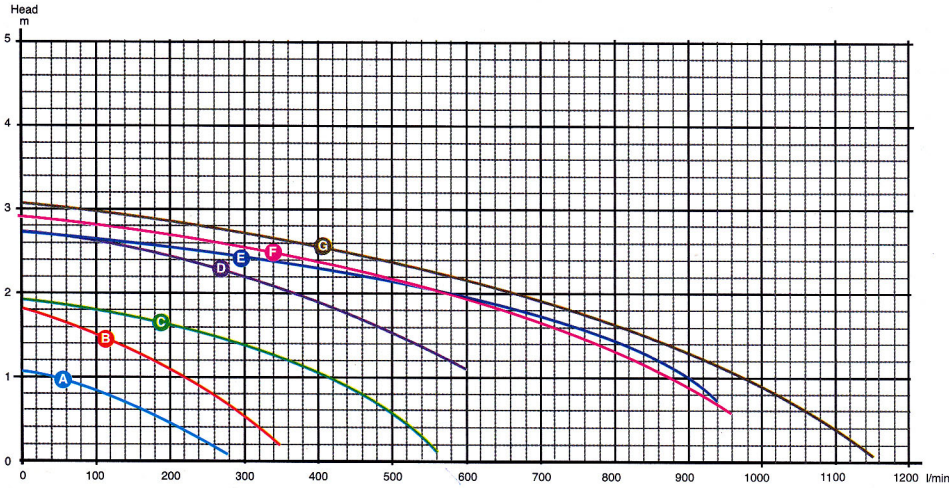
**WT SERIES TYPE**





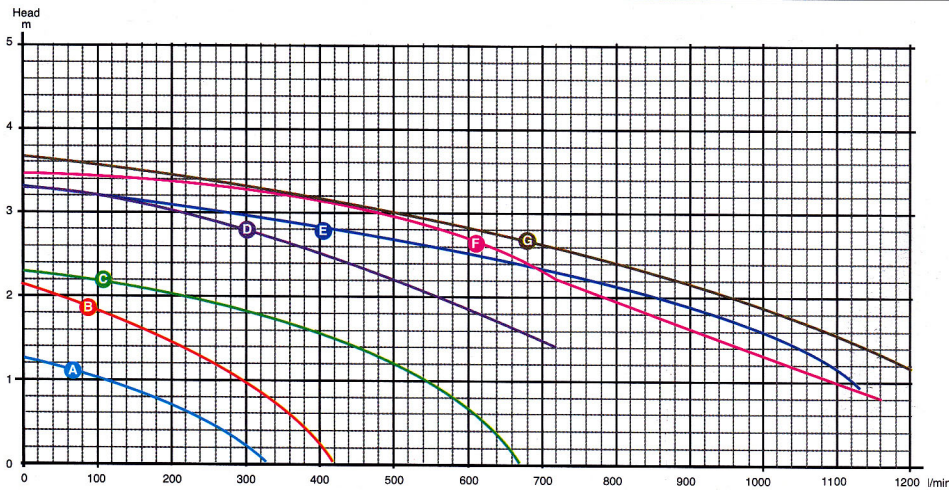
## PERFORMANCE CURVE & SPECIFICATION TABLE

**(50HZ)**



TYPE	MODEL	CURVES NO.	IN-OUTLET DIMENSION (M/M)	MOTOR			HEAD (M)	CAPACITY (L/MIN)	MAX HEAD M	MAX CAPACITY L/MIN
				PHASE	POLARITY	HP				
WT	40012H	<b>A</b>	40/40	3Ø	2	1	6	150	11	280
WT	40022H	<b>B</b>	40/40	3Ø	2	2	10	230	18	350
WT	50032H	<b>C</b>	50/50	3Ø	2	3	13	350	19	560
WT/WTB	50052H	<b>D</b>	50/50	3Ø	2	5	22	350	27	600
WT/WTB	75052H	<b>E</b>	75/75	3Ø	2	5	21	550	27	940
WTB	75072H	<b>F</b>	75/75	3Ø	2	7½	20	580	29	980
WTB	75102H	<b>G</b>	75/75	3Ø	2	10	20	660	30	1150

**(60HZ)**

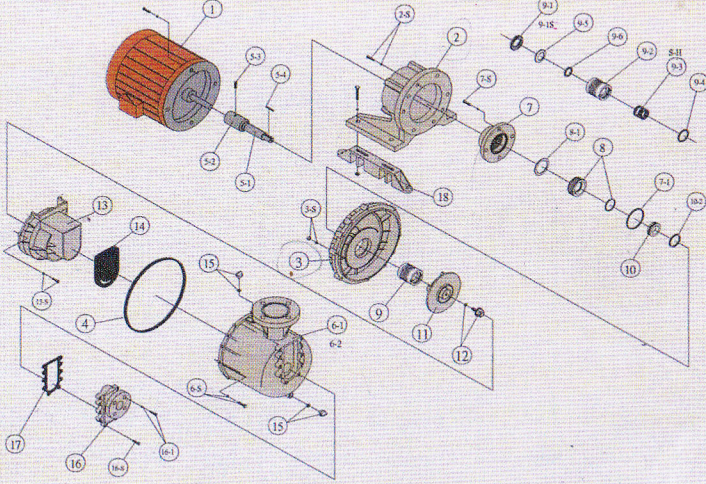


TYPE	MODEL	CURVES NO.	IN-OUTLET DIMENSION (M/M)	MOTOR			HEAD (M)	CAPACITY (L/MIN)	MAX HEAD M	MAX CAPACITY L/MIN
				PHASE	POLARITY	HP				
WT	40012H	<b>A</b>	40/40	3Ø	2	1	8	180	13	336
WT	40022H	<b>B</b>	40/40	3Ø	2	2	12	280	22	420
WT	50032H	<b>C</b>	50/50	3Ø	2	3	18	330	23	670
WT/WTB	50052H	<b>D</b>	50/50	3Ø	2	5	24	420	33	720
WT/WTB	75052H	<b>E</b>	75/75	3Ø	2	5	25	600	33	1120
WTB	75072H	<b>F</b>	75/75	3Ø	2	7½	22	660	35	1160
WTB	75102H	<b>G</b>	75/75	3Ø	2	10	24	780	37	1380

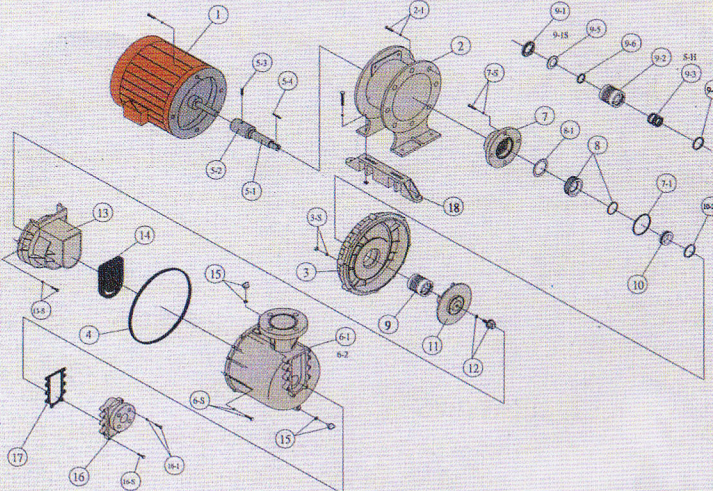


# WT / WTP SERIES CONSTRUCTION

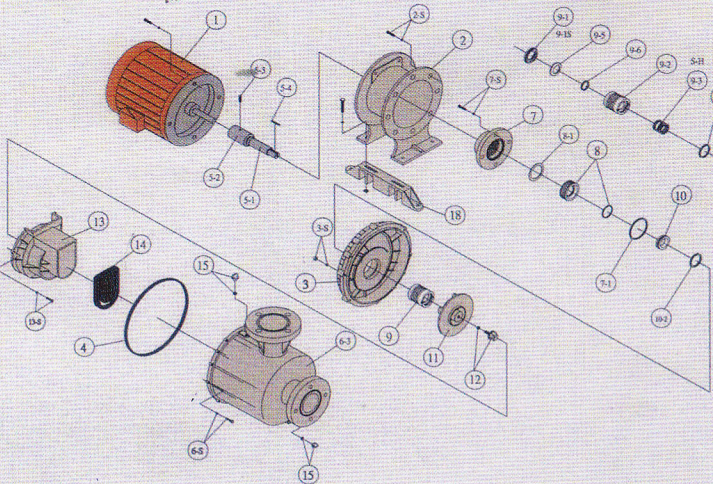
**IN-OUTLET : 1 1/2", 2" HORSE POWER: 1/2 -3HP**



**IN-OUTLET : 2" HORSE POWER : 5HP**



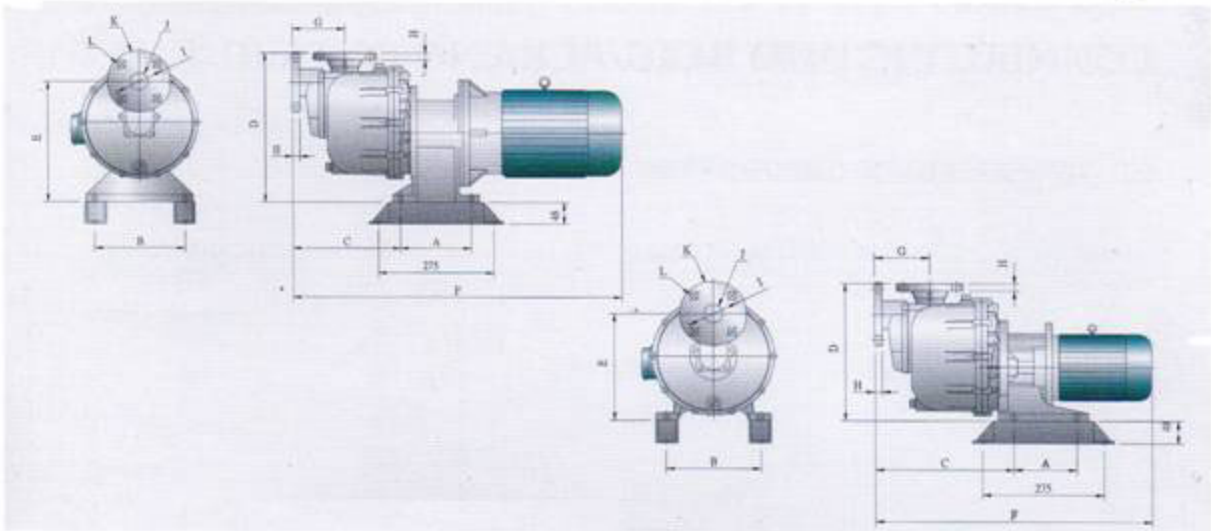
**IN-OUTLET : 3" HORSE POWER : 5HP**



NO.	DESCRIPTION	MATERIAL
1	MOTOR	
2	BASE FRAME	FC, FRPP
3	REAR COVER	FRPP, CFRPP, PVDF
4	REAR COVER O-RING	EPDM, VITON
5-1	SHAFT SLEEVE	TEFLON
5-2	SHAFT	SUS
5-3	SHAFT NUT	SUS
5-4	SHAFT KEY	SUS
6	MAIN BODY	FRPP, CFRPP, PVDF
7	SEAL COVER AND O-RING	FRPP, CFRPP, PVDF/EPDM, VITON
8	STATIONARY RING AND O-RING	PPS, PVDF, EPDM, VITON
9	FRONT SEAL	TEFLON
9-1	ROTATIONAL RING	CARBON, SIC
9-2	TEFLON BELLOWS	TEFLON
9-3	SPRING	SUS, HC
9-4	FRONT O-RING	EPDM, VITON
9-5	PACKING	EPDM, VITON
9-6	REAR O-RING	EPDM, VITON
10	SEAL STATIONARY RING AND O-RING	SIC EPDM, VITON
11	IMPELLER	FRPP, CFRPP, PVDF
12	IMPELLER NUT AND O-RING	FRPP, PVDF, EPDM, VITON
13	CHECK COVER	FRPP, CFRPP, PVDF
13S	CHECK COVER NUT	SUS
14	CHECK VALVE	EPDM, VITON, TEFLON
15	WATER FILLING CAP AND O-RING	FRPP, CFRPP, PVDF, EPDM, VITON
16	SELF-PRIMING BARREL	FRPP, CFRPP, PVDF
16S	SELF-PRIMING BARREL NUT AND O-RING	FRPP, PVDF EPDM, VITON
17	SELF-PRIMING PACKING	EPDM, VITON
18	FRAME	FRPP

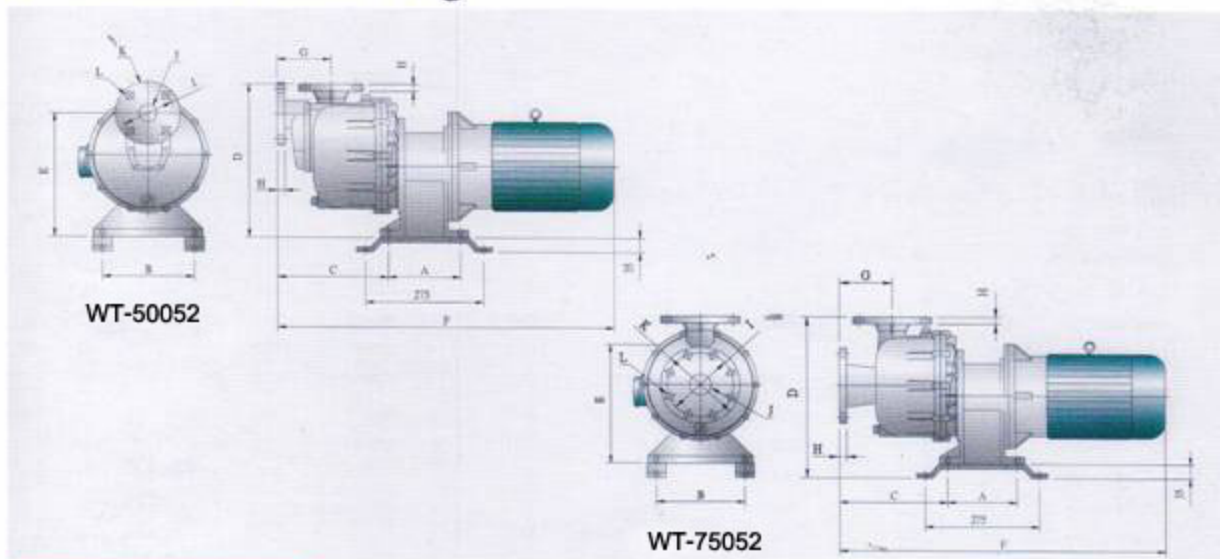


## Dimension Drawing



MODEL	A	B	C	D	E	F	G	H	H <sub>2</sub>	I	J	K	L
WT-40011	145	210	320	320	250	640	135	16	12	105	43	140	20
WT-40012	145	210	320	320	250	640	135	16	12	105	43	140	20
WT-40014	145	210	320	320	250	640	135	16	12	105	43	140	20
WT-40022	145	210	320	320	250	660	135	16	12	105	43	140	20
WT-50032	145	210	320	320	250	710	135	16	14	120	50	155	20

## Dimension Drawing



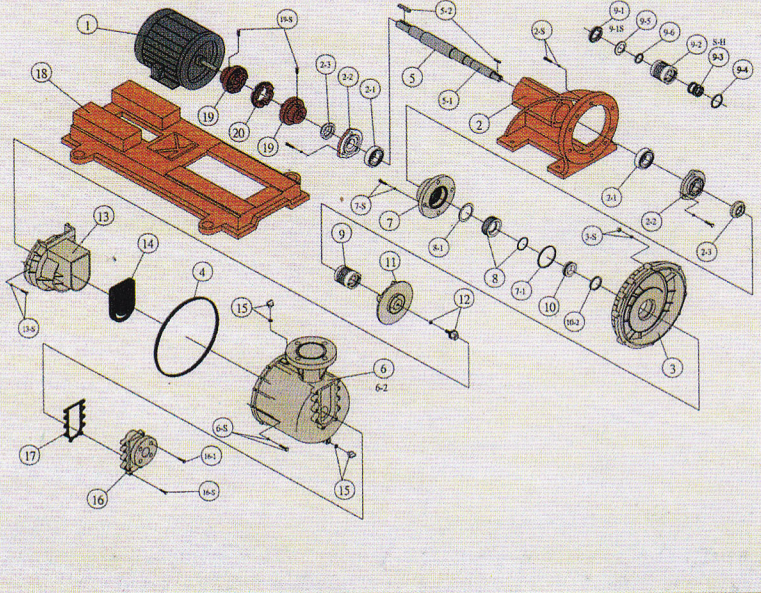
**DIMENSION TABLE**

MODEL	A	B	C	D	E	F	G	H	H <sub>2</sub>	I	J	K	L
WT-50052	170	200	265	360	280	760	135	18	14	120	50	155	20
WT-75052	170	200	305	375	180	800	120	18	14	145	75	180	20

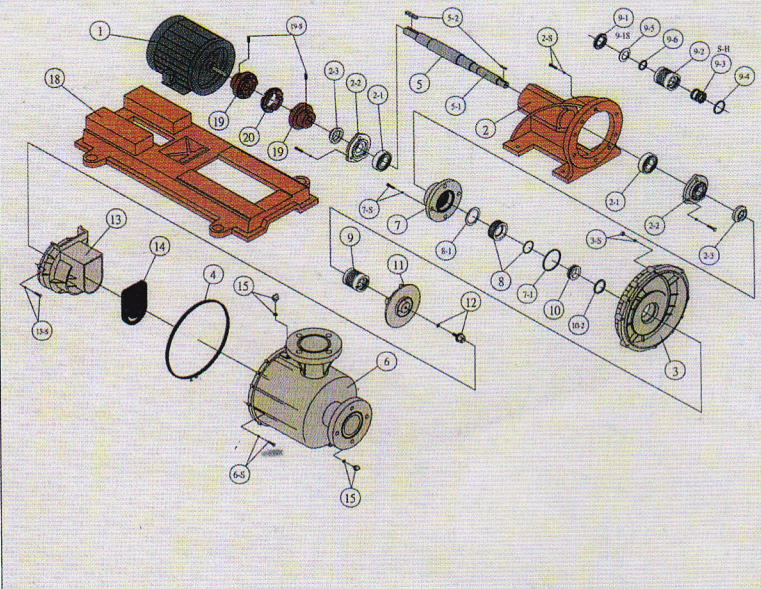


# WTB/WTBP SERIES CONSTRUCTION

**IN-OUTLET : 1 1/2", 2" HORSE POWER: 1-5HP**



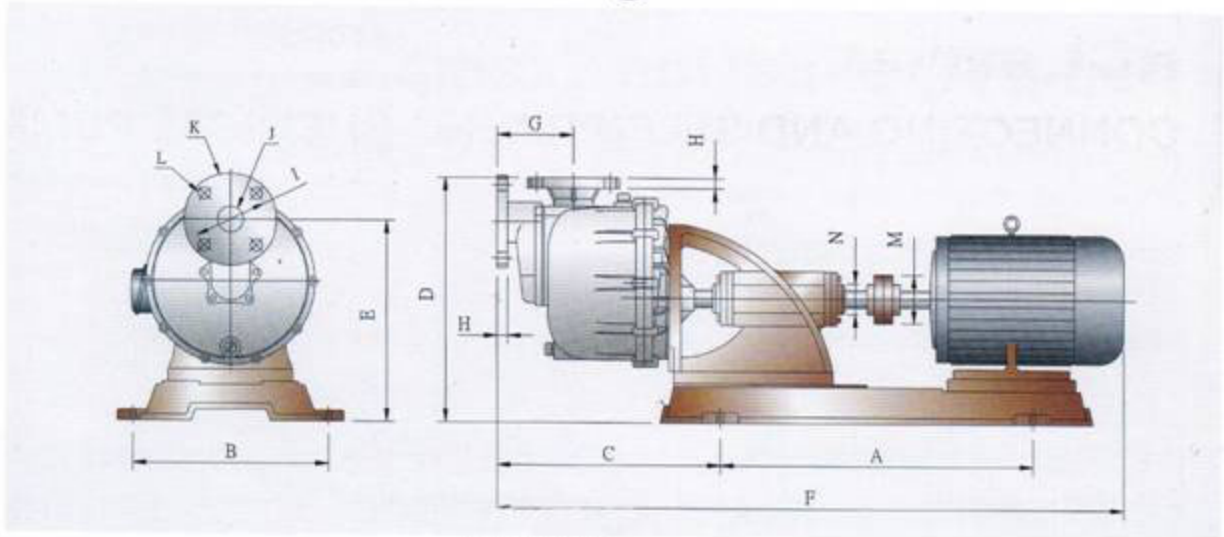
**IN-OUTLET : 3" HORSE POWER: 5-10HP**



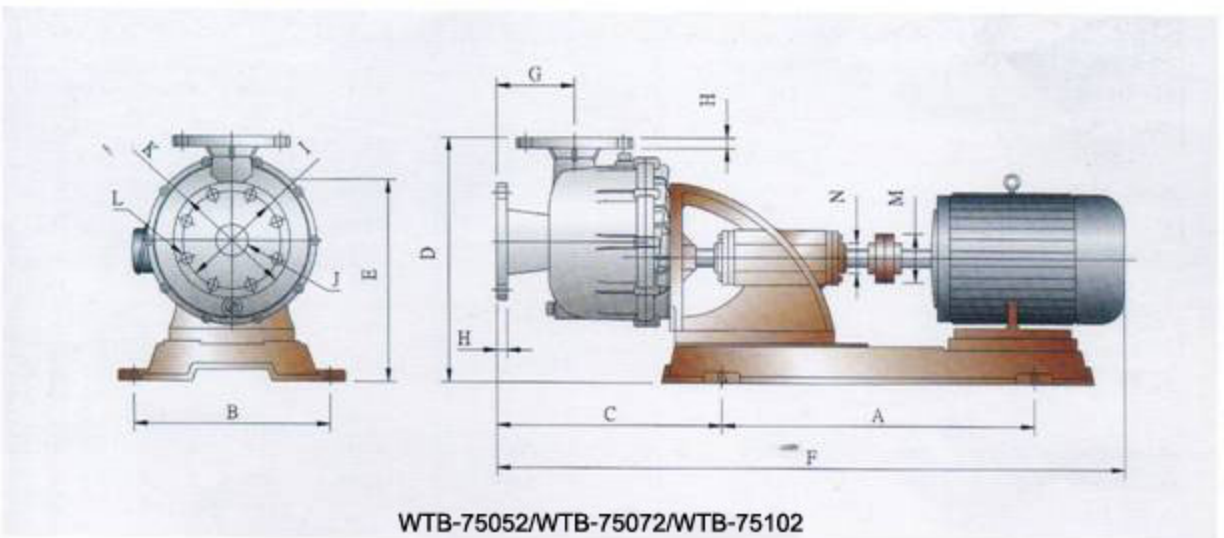
NO	DESCRIPTION	MATERIAL
1	MOTOR	
2	BASE FRAME	FC, FRPP
3	REAR COVER	FRPP, CFRPP, PVDF
4	REAR COVER O-RING	EPDM, VITON
5-1	SHAFT SLEEVE	TEFLON
5-2	SHAFT	SUS
5-3	SHAFT NUT	SUS
5-4	SHAFT KEY	SUS
6	MAIN BODY	FRPP, CFRPP, PVDF
7	SEAL COVER AND O-RING	FRPP, CFRPP, PVDF/EPDM, VITON
8	STATIONARY RING AND O-RING	PPS, PVDF, EPDM, VITON
9	FRONT SEAL	TEFLON
9-1	ROTATIONAL RING	CARBON, SIC
9-2	TEFLON BELLOWS	TEFLON
9-3	SPRING	SUS, HC
9-4	FRONT O-RING	EPDM, VITON
9-5	PACKING	EPDM, VITON
9-6	REAR O-RING	EPDM, VITON
10	SEAL STATIONARY RING AND O-RING	SIC EPDM, VITON
11	IMPELLER	FRPP, CFRPP, PVDF
12	IMPELLER NUT AND O-RING	FRPP, PVDF, EPDM, VITON
13	CHECK COVER	FRPP, CFRPP, PVDF
13S	CHECK COVER NUT	SUS
14	CHECK VALVE	EPDM, VITON, TEFLON
15	WATER FILLING CAP AND O-RING	FRPP, CFRPP PVDF/EPDM, VITON
16	SELF-PRIMING BARREL	FRPP, CFRPP, PVDF
16S	SELF-PRIMING BARREL NUT AND O-RING	FRPP, PVDF/EPDM VITON
17	SELF-PRIMING PACKING	EPDM, VITON
18	FRAME	FC
19	COUPLING	FC
20	COUPLING RUBBER	EPDM



# Dimension Drawing



WTB-50052



WTB-75052/WTB-75072/WTB-75102

## DIMENSION TABLE

MODEL	A	B	C	D	E	F	G	H	H <sub>2</sub>	I	J	K	L	M	N
WTB-50052H	500	310	360	390	310	1050	135	18	14	120	50	155	20	82	52
WTB-75052H	500	310	400	400	210	1095	120	18	14	145	75	180	20	82	52
WTB-75072H	530	340	405	425	230	1110	120	18	14	145	75	180	20	127	69
WTB-75102H	530	340	405	425	230	1110	120	18	14	145	75	180	20	127	69